

DATASHEET

Ælement Fusion by SALTO

Ælement Fusion is an electronic lock with a sleek reader accentuated by an interactive light ring that illuminates when access credentials are presented, providing a minimalistic design that blends with any hotel décor. It also offers the choice of a wide range of designer lever handles and finishes.

www.saltosystems.com

TECHNICAL SPECIFICATIONS:
Ælement Fusion - ANSI (AFxx)

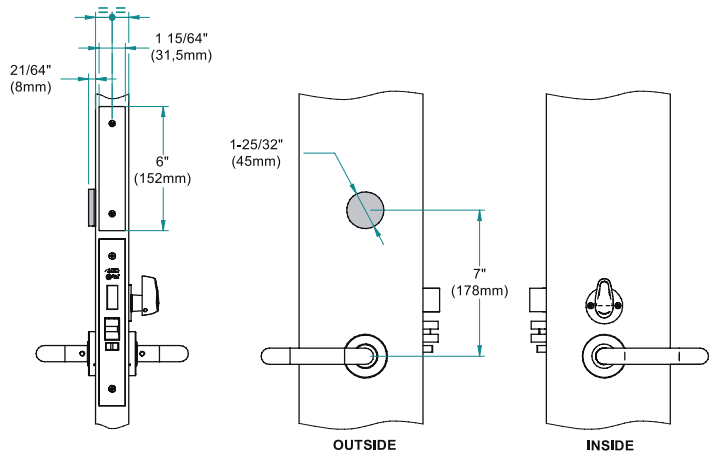
SALTO
inspired access



TECHNICAL DATA:

Reader dimensions (H x W x D):	45,0 x 45,0 x 8,0 mm
Faceplate dimensions (H x W):	152,0 x 31,5 mm
	152,0 x 27,0 mm
Handle rotation:	52°
Door thicknesses:	45mm - 125mm
Square spindles:	8mm split (SALTO spindles required).
Power source:	3 alkaline batteries - LR06 - AA 1,5V.
Number of openings:	130 000 MIFARE DESFire 100 000 Mobile keys 90 000 iCLASS®
Temperature (without condensation):	0 °C / +60 °C.
Number of events stored in lock memory:	2 250 (SVN standalone mode) 1 850 (SVN BLUEnet mode)
IP class:	Not suitable for outdoor use.
Certifications:	CE, FCC/IC, RCM, UL10C 45 min, EN1634 EI60

TECHNICAL DRAWING:



ID TECHNOLOGIES:

MIFARE:*	•
BLE Smart:	•
NFC:	•
Legic:**	—
HID iClass®:	•
Picopass:	—
Hilton digital key	•
i-Button:	—

* MIFARE® (DESFire EV2, Plus, Ultralight C, Classic - ISO/IEC 14443).
** Legic Prime and Legic Advant

FINISHES:

Reader colour:

Black:	•
White:	•

Faceplate finishes:

IM Satin stainless steel:	• BHMA 630 / US 32D
IP Bright stainless steel:	—
IA Antique brass:	—
PP PVD bright brass type:	—
PM PVD satin brass type:	• BHMA 730 / BHMA 731 / US4
NE Black chromium:	—
BC BioCote anti-microbial:	—

TECHNOLOGY PLATFORMS:

SALTO SPACE:

Smile - Selfprogrammable	—
ROM:	—
SVN data-on-card:	•
SALTO RFnet:	—
SALTO BLUEnet:	•*
SALLIS:	—

SALTO KS:

SALTO KS:	—
-----------	---

* BLUEnet communication on metal door may need to install more BLUEnet nodes or repeaters.

MECHANICAL DATA:

Handle block mechanism lock:	•
Mechanical privacy:	•
Electronic privacy:	—
Mechanical key override:	•
Compatible with ANSI mortise lock standard.	• SALTO LA1T17
Reversible:	•
Door Accessories:	• Door handles and accessories.
Retrofit cover plate:	— New construction wood and metal doors.
Emergency opening via contactless Portable Programming Device (PPD).	•

OPENING MODES:

Standard:	•
Office mode:	•
Timed office:	•
Automatic opening:	•
Toggle:	•
Timed Toggle:	•
Amok mode:	—
Exit leaves open mode:	•
Pin code / Keypad:	—

MORTISE LOCK (LA1T17):

Axe distance:	62 mm
Turning angle:	52°
Backset	70mm.
Mechanical key override:	•
Front plate shape:	Square.
Front plate finish:	Satin stainless steel. Satin brass (PVD).
Handing:	L/R - Reversible.
Anti-panic safety function:	•
Auxiliary latch (anti card system)	•
Intelligent integrated detectors for deadbolt and door position to monitor the status of the door	•
Detection of intrusion alarms	•
Opened and closed status of doors through SALTO Wireless technology.	•
Integrated electronic privacy detector for door/room status real-time monitoring.	•
Fire certifications	UL10C 45 min, EN1634 EI60

