



SALTO Advanced panic bar solutions enable emergency exit doors equipped with panic bars to be controlled with an innovative stand alone electronic locking system.

SALTO stand alone electronic locks can be fitted, in combination with adaptor kits, to more than 40 leading panic bars from the most popular manufacturers.

Whether you have a mortise panic device or a rim panic device, SALTO has a solution.

Compliant with EN1125 depending on the panic bar, the lock and the SALTO panic bar kit.

All the benefits of SALTO but for emergency exits.

### Access control features

|                                     | Selfprogrammable systems           | ROM systems             | R&W systems  |
|-------------------------------------|------------------------------------|-------------------------|--|
| Maximum number of users per door:   | 1000                               | 1000                    | 64000  |
| Maximum number of doors per system: | 1000                               | 64000                   | 64000  |
| Maximum events on lock audit:       | -                                  | 1000                    | 1000   |
| Timezones:                          | -                                  | 30                      | 256  |
| Timeperiods:                        | -                                  | 20                      | 256  |
| Calendars in system:                | -                                  | 4                       | 256  |
| Zones in system:                    | -                                  | unlimited               | unlimited  |
| User groups:                        | -                                  | unlimited               | unlimited  |
| Management:                         | Programming key and users key sets | Pro Access ROM software | Pro Access or HAMS software (available SQL versions) |

### Main features and benefits

- Simple off-line installation is possible on any type of door, including those with narrow frames.
- ID technologies available: i-Button, DESfire, DESfire EV1, Mifare, Mifare plus, Vicinity, Inside Picopass, Legic, HID iClass.
- Available in wireless version for wireless real time control\*.
- Choice of 40mm narrow or 67mm wide body handle set (depending on the panic bar compatibility)\*\*.
- Suitable for door thicknesses of 30mm to 120mm.
- Concealed fixing screws for greater security and improved aesthetics.
- Available with mechanical override with audit trail facility.
- Detects and record on the audit trail openings from the inside.
- DDA (Disability Discrimination Act) compliant (depending on handle type).
- Emergency opening via portable programming device (PPD).
- Non volatile memory (memory is not deleted, even if power fails).

### Electronic features

- Wireless on-line realtime\*\*\* or wire-free stand alone networked system through SVN technology.
- Locks are connected to the system through the SALTO Virtual Network improving the security and efficiency of the system.
- Non volatile memory (is not deleted, even without power).
- Escutcheons are equipped with a low consumption real time clock function, which allows time zones access planning and the use of 4 different calendars in ROM systems or 256 in R&W systems\*\*\*.
- Dual colour LED (green/red) to indicate lock authorisation.
- Possibility to enable/disable the acoustic signal.
- Power supply narrow body escutcheons: 3 alkaline batteries LR03 AAA 1,5V. optional lithium batteries FR03.
- Power supply wide body escutcheons: 3 alkaline batteries LR6 AA 1,5V. optional lithium batteries FR6.
- Battery autonomy up to 70 000 openings\*\*\*.

### ID technology

#### i-Button ID technology

- Access given through contact by electronic i-Button.
- Simple and intuitive use due to the smart design of the i-Button and the electronic lock reader.
- Extremely resistant system suitable for all kinds of environments.
- 512bytes or 2Kbytes i-Button fobs or bracelets available.
- Reusable keys
- High security, by using password and encrypted i-Button fobs.



i-Button technology

#### RFID technology

- 13.56MHz contact less RFID identification.
- E9000 series are ISO 14.443A, ISO 14.443B (Mifare, DESfire) and ISO 15.693 (Vicinity) and Near Field Communication (NFC) compatible.
- E7000 and E8000 series are ISO 14.443B and 15693 compatible.
- Key card available: from 256 bytes to 4Kbytes \*\*\*.
- Key shape available: ISO 7810 Cards, fobs, bracelets, stickers, watches...
- Reusable key cards.
- RFID technology, there's a contactless exchange of information between the card and the reader\*.
- High security, by using password and encrypted Proximity cards.



RFID technology

\* Check compatibility chart, not all panic bar sets can be equipped with wireless technology.

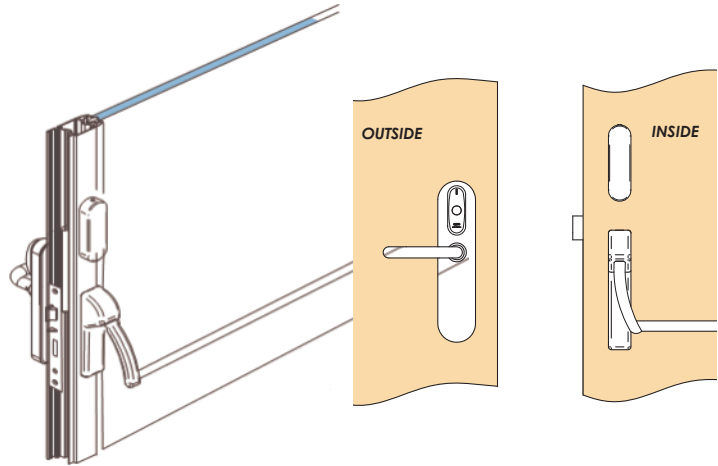
\*\* Depending on the panic bar and the panic bar kit

\*\*\*Depended on the ID technology.

### Panic bar models compability

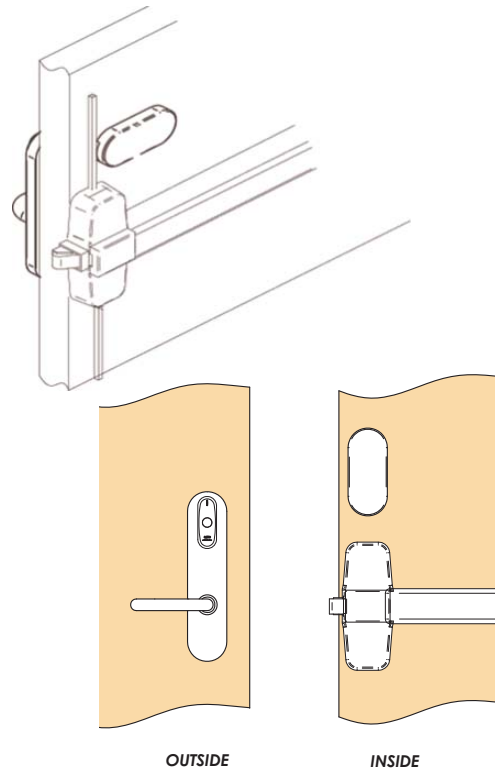
#### Case 1 Mortice Panic Device (needs a mortise to lock the door).

- ASSA 810701.
- BKS B7100 61.
- BKS B7150.
- BKS B7172 51.
- BKS B7100 51CISA 59710.
- ECO EPN 900-45°.
- ECO EPN 900-30°.
- ECO EPN 2000.
- NINZ SLASH.
- TESA 1970.
- TINKO 5500 (Mortice Lock).



#### Case 2 Rim Panic Devices (the panic bar includes the mortise lock)

- CAL ROYAL 9800 (Single point).
- CISA 59000 (Single point).
- CISA 59010-15 (Multi point).
- CISA 59800 (Single point).
- CISA 58010-15 (Multi point).
- CORBIN RUSSWIN ED5200 (Single point).
- DORMA AD4300 (Single point).
- DORMA AD4400 (Two locking points).
- DORMA PHA2100 (Single point).
- FAPIM PANAMA 8010 (Single point).
- FALCON MONARCH 18 (Single point).
- ISEO IDEA BAR 941 1 (Single point).
- ISEO PUSH BAR 944 1 (Single point).
- SARGENT 8800 (Single point).
- SARGENT 8700 (Two locking points).
- TESA 1910 (Single point).
- TESA 1920-30-50-5L (Multi point).
- TINKO 5000 (Single point).
- VACHETTE 6710 (Single point).
- VACHETTE 6720-30-40-50 (Multi point).
- VON DUPRIN 98 / 99 (Single point).
- VON DUPRIN 98 / 9957 / 9827 (Multi point).
- YALE 7100 (Single point).



### Finishes



Satin stainless steel



Polished stainless steel

### Handles



model U



model S



model W



model H



model P



model B



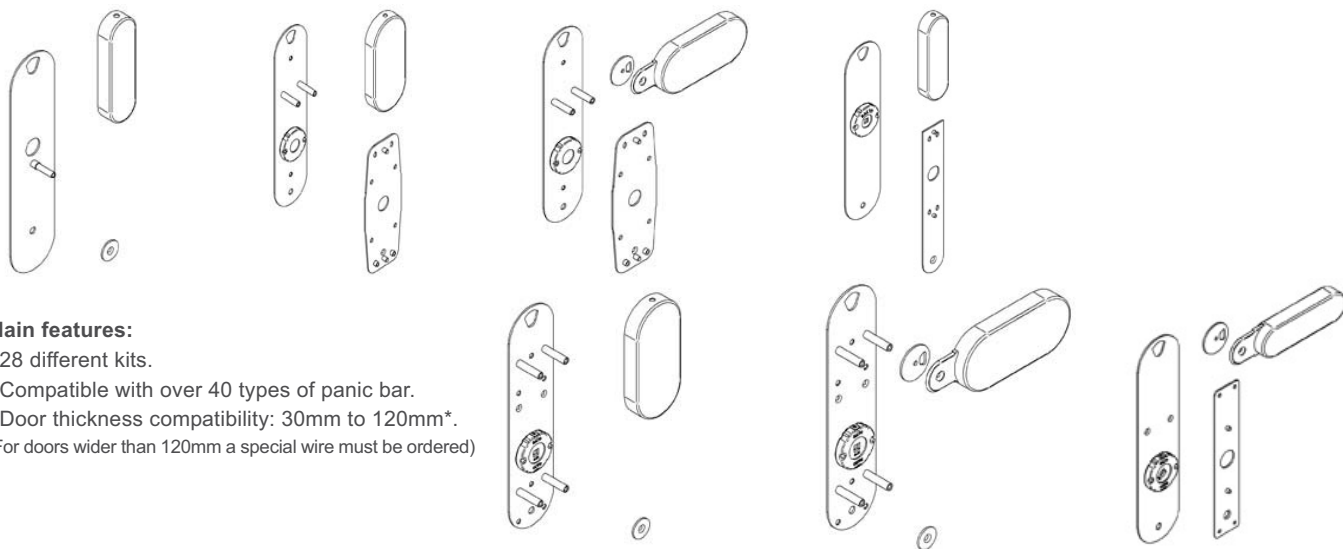
model A



model Y

### XS4 SALTO Panic bar kits

XS4 SALTO KPBs (Kit Panic Bars) make it possible to fit stand alone electronic escutcheons in combination with panic bars. SALTO has developed a wide range of KPBs that are compatible with the most popular panic bars on the market. Wireless panic bar kits can also be available

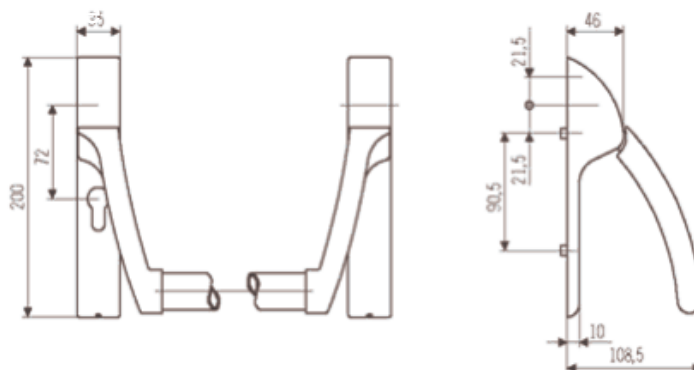


#### Main features:

- 28 different kits.
- Compatible with over 40 types of panic bar.
- Door thickness compatibility: 30mm to 120mm\*.
- (For doors wider than 120mm a special wire must be ordered)

### XS4 SALTO Panic Bar PBE9000

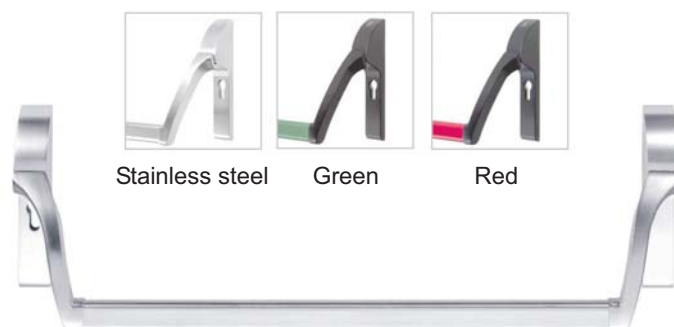
XS4 PBE9000 combines the highest safety standards with ease of use. XS4 PBE9000 series panic bar is EN1125 compliant\* in combination with SALTO electronic escutcheons, LE7E31 or LE9E11 SALTO mortise lock, SALTO KPb (Kit Panic Bars). Its modern, aesthetic design makes it the perfect choice to compliment any architectural style.



### Main features

- Mortise panic device.
- Mechanisms made of galvanized steel.
- Cover made of satin stainless steel or plastic depending on the finish.
- Finishes: red, green or satin stainless steel (stainless steel version).
- Handing Din left /Din right usable.
- Maximum wing width: 1300mm.
- Cover dimensions: 200mm x 35mm x 108.5mm.
- Spindle angle turn: 30° or 45° depending on the model.
- Square spindle: 9mm..

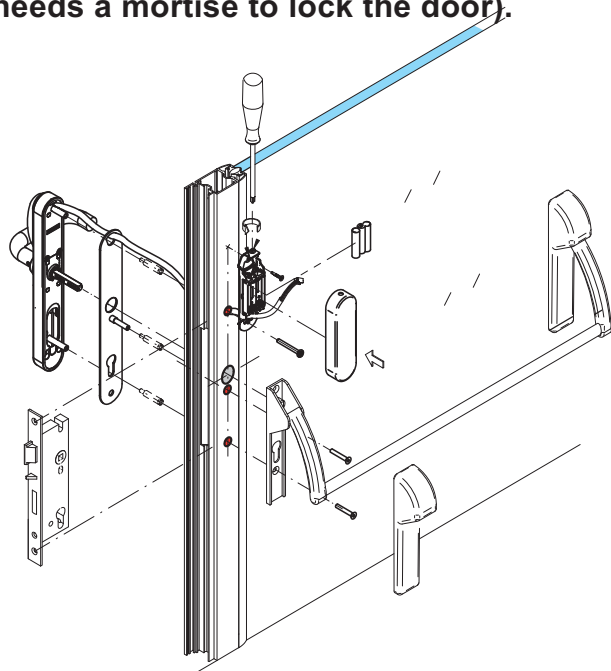
### Finishes



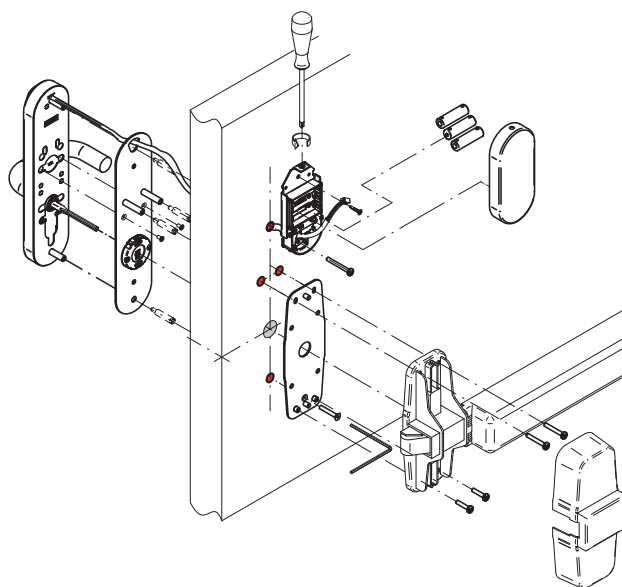
\* Depending on the panic bar and the panic bar kit

### Installation

#### Case 1 Mortise Panic Device (needs a mortise to lock the door).



#### Case 2 Rim Panic Devices (the panic bar includes the mortise lock)



### Opening modes

- Standard (locked at all times)
- Office (free passage ability)
- Timed Office (free passage with automatic locking)
- Automatic opening (8 pairs of "hands free" timed lock and unlocks per day with holidays)
- Automatic Opening + Office
- Toggle (present card to lock, present card to unlock)
- Timed toggle (automatic locking at end time)

### Certificates

**IP Certification:** level 46  
**RF Certification:** EN1125\*  
**EN Certification:**  
 EN 300330-1 V1.3.2 (2002-12)  
 EN 301 489-1 (2002)  
 EN 301 489-3 (2002)

EN 55022 (1994), class B  
 EN 55024 (1998)  
 EN 61000-6-1 (2001)  
 EN 61000-6-2 (2001)  
 EN 61000-4-2 (1995)  
 EN 61000-4-3 (1995)

### Operating temperatures

**External escutcheon:** -20°C / 70°C  
**Inner escutcheon:** 0°C / 70°C  
 -20°C / 70°C using lithium batteries (FR03 AAA).

\* Depending on the panic bar and the panic bar kit