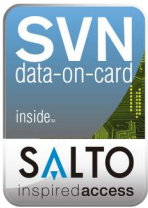


SALTO Exit Device Solutions | the next generation of standalone locks

SALTO Advanced Panic Bar Solutions enable emergency exit doors equipped with panic bars to be controlled with an innovative standalone electronic locking system.

RIM Panic Device - PBF1100



AVAILABLE

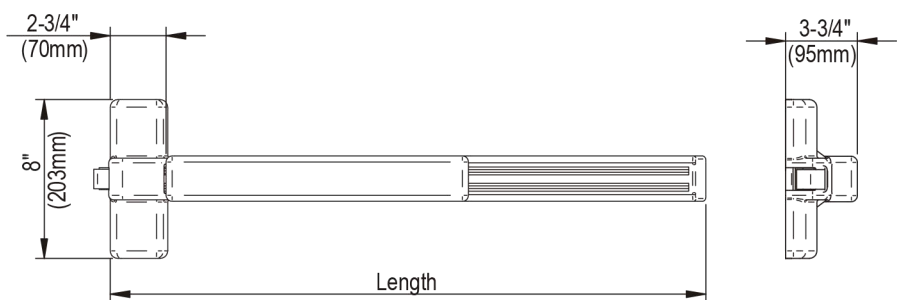
wireless 
IMPLEMENTED



SALTO Panic Bar Solutions RIM Panic Device

SALTO RIM Panic Device Solution is compatible with both SALTO Data-on-Card and SALTO wireless systems, providing full control of the door at all times.

A wire free fully stand alone electronic access control solution, which provides a high technology and cost effective system for emergency exits.



Panic Bar availability



- Length

--> 33 = 33" (838 mm) Standard. For door width from 28" to 36" (from 711 mm to 915 mm)

--> 45 = 45" (1143 mm) Upon request. For door width from 34" to 48" (from 864 mm to 1,220 mm)

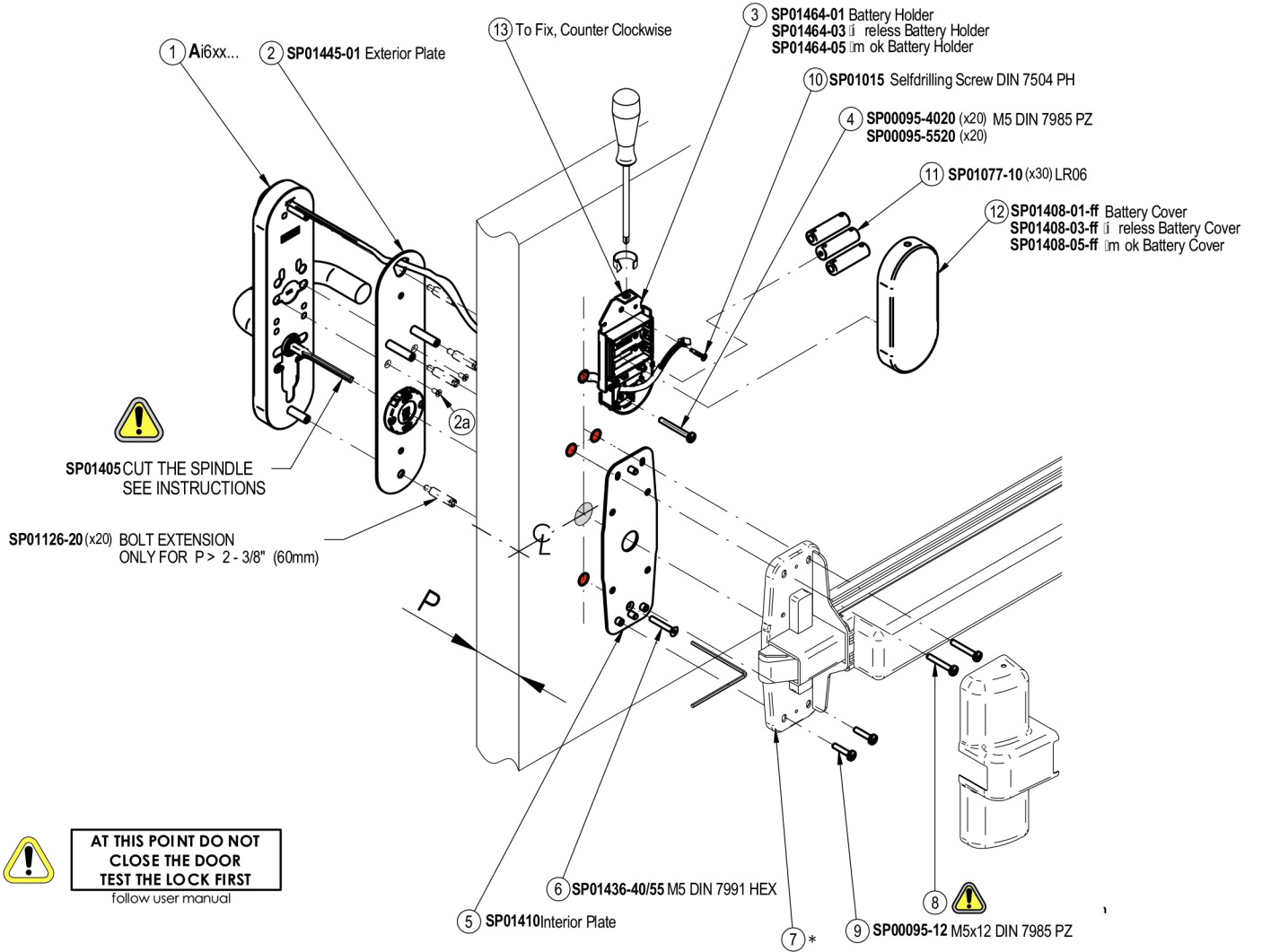
Features



- Non-handed device
- Latch deadlocking
- Strike included
- Fasteners and bolts for wood and metal 1-3/4" to 3-15/16" (45 to 100 mm) door thickness included
- Exit signal when bar is pressed
- IM finish available (satin stainless steel ANSI / BHMA 630, US32D). Contact SALTO for other finishes
- UL / cUL listed for UL305 and ANSI A156.3-2008
- Grade 1 Panic Hardware
- Fire rated 3 hour Fire Exit Hardware, conforms to UL10C and UBC7-2
- Steel case
- Latch bolt: stainless steel 3/4" (19 mm)
- Packaging: 10-5/8" x 5-1/8" x 40-1/8" (270 x 130 x 1020 mm)
- Weight 12.1 lbs (5.49 kgs)
- Same door preparation as Von Duprin 98/99



Panic Bar - Single Point



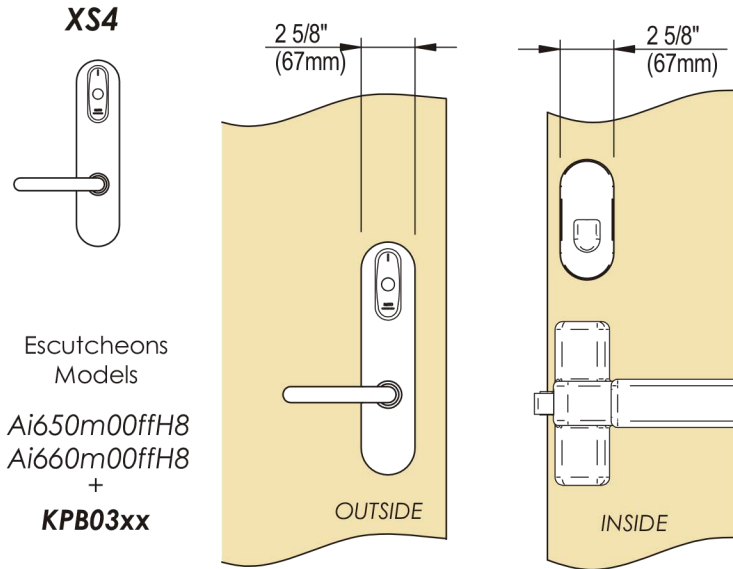
AT THIS POINT DO NOT
CLOSE THE DOOR
TEST THE LOCK FIRST
follow user manual



Compatibilities



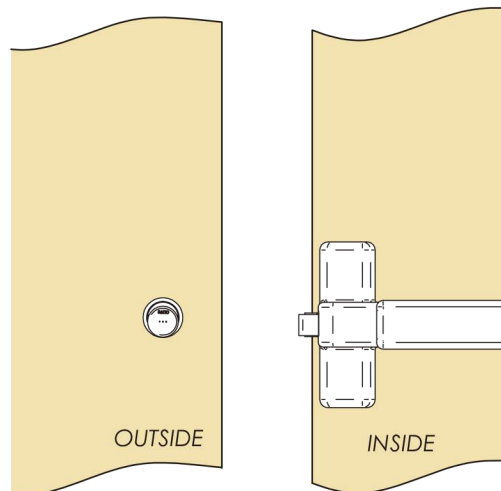
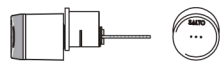
With SALTO XS4 half escutcheon



* Exit detection only with KPB03xxW

With SALTO GEO RIM Cylinder

GEO CYLINDER



Rim Cylinders

- GiB1100N00ffN
(ANSI UNC Screws)
- GiK1100N00ffN
(ISO METRIC Screws)

* No exit detection

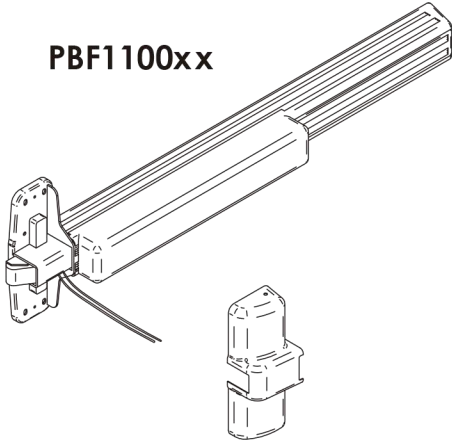


Installation Guide: Exit Detection Switch

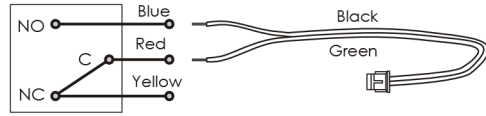


1

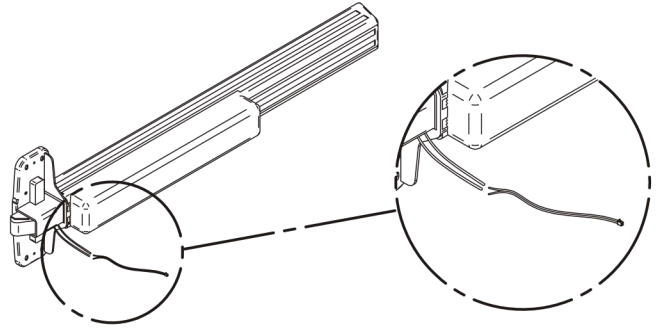
PBF1100xx



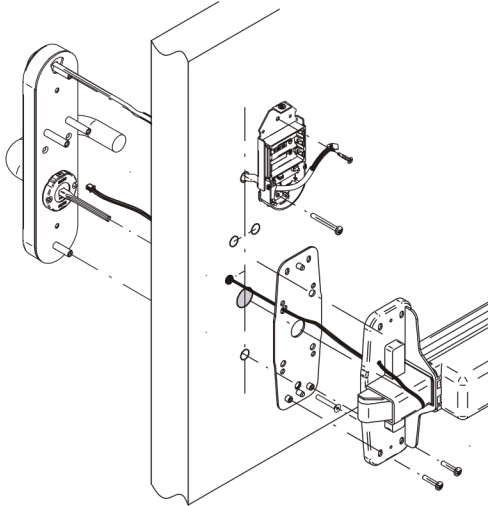
2



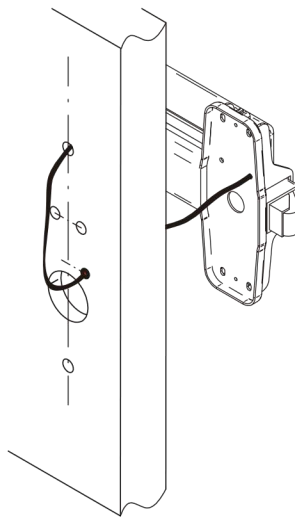
3



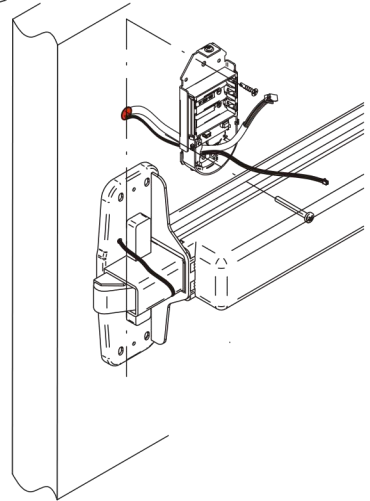
4



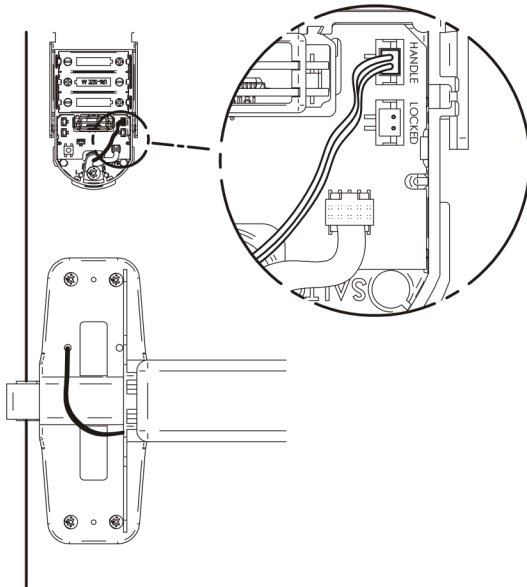
5



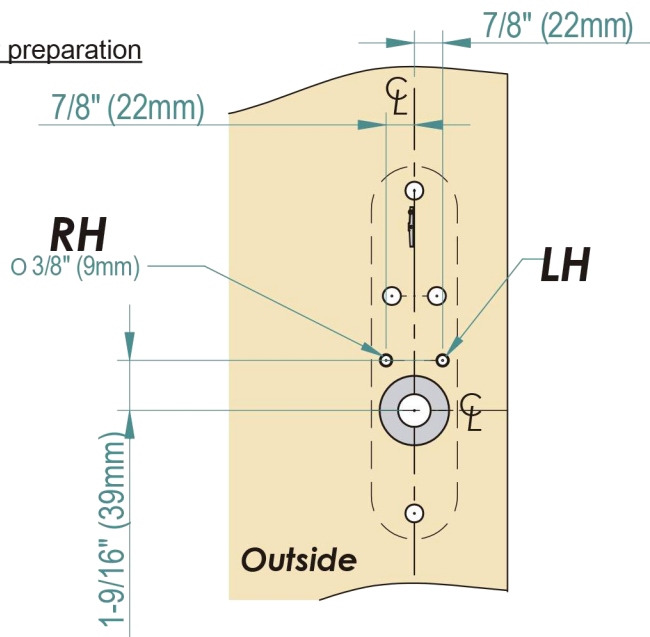
6

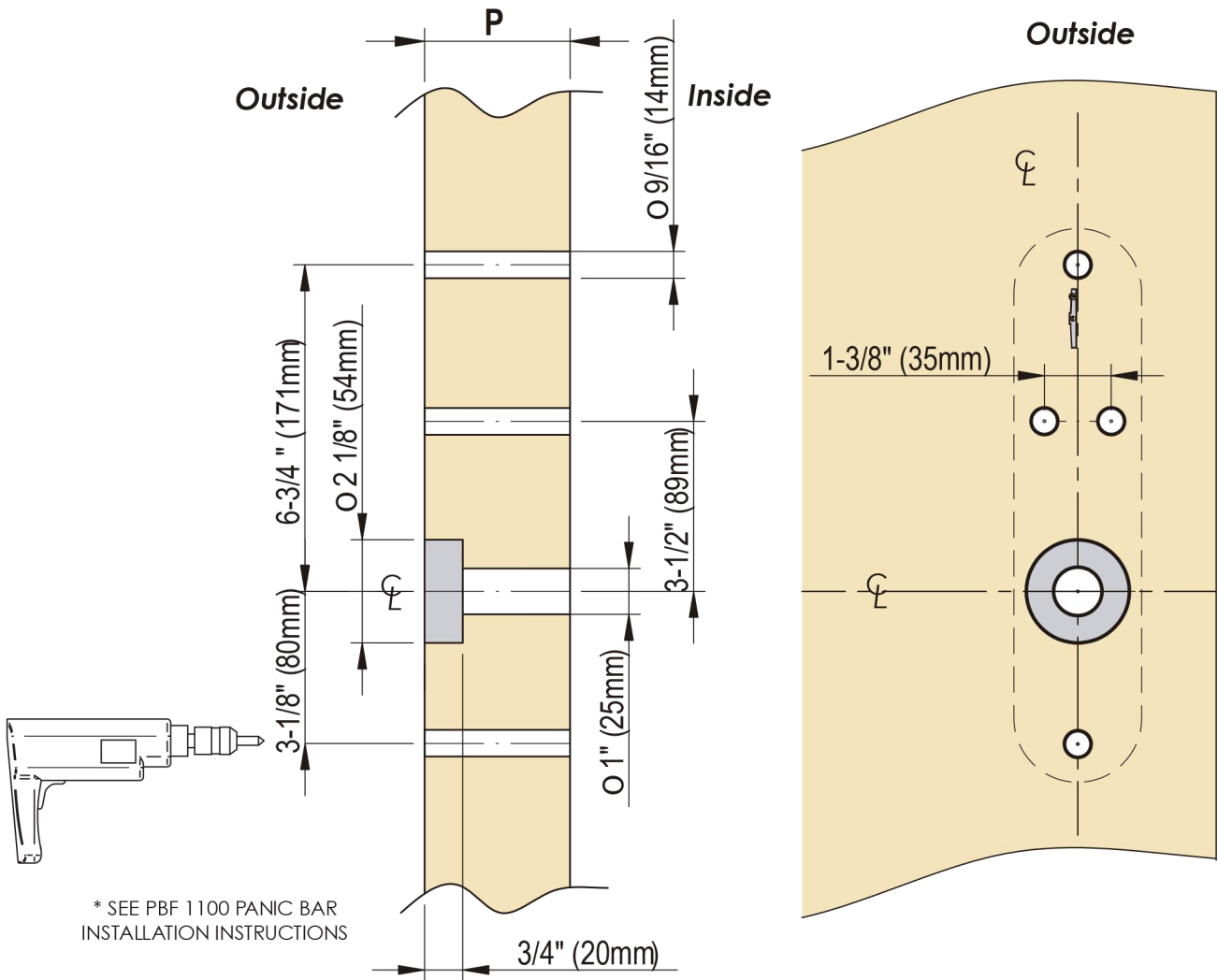


7



Door preparation





About the SALTO Ax60 wide body version



The XS4-ANSI versions are specially designed to fit on ANSI mortise locks and tubular latches that need more than 50° handle rotation.

This electronic networked lock is suitable for virtually any kind of door. This stand alone electronic escutcheon works with the high performance data-on-card technology SALTO Virtual Network (SVN) system that allows you to control all the doors in an entire building or group of buildings from a single PC bringing all the benefits of a networked system through the SALTO Virtual Net (SVN).



ID technologies for half escutcheon



MIFARE DESFire

NFC



Range of RFID credentials for half escutcheon



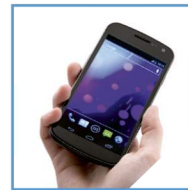
Contact less key cards



Contact less fobs



Contact less bracelets



NFC phones

MIFARE DESFire



MIFARE DESFire

Mifare RFID contactless technology reads & writes information to contactless smart cards (RFID) compatible with ISO 14.443A, ISO 14.443B and ISO 15.693 standards, and as Mifare, Mifare plus, DESFire, DESFireEV1 technologies. They also allow for updating of the carriers via SALTO Virtual Net (SVN) technology.

- 13.56MHz contactless RFID identification.
- ISO 14.443A, ISO 14.443B and ISO 15.693, Mifare, DESFire Compatible.
- Near Field Communication (NFC) compatible.
- Key card available: 1Kbyte, 4Kbytes and 8 Kbytes depending on technology.
- Key shape available: ISO 7810 Cards, fobs, bracelets, stickers, watches...
- Reusable key cards.
- SALTO Virtual Network (SVN) compatible*.
- RFID technology, there's a contactless exchange of information between the card and the reader*.
- High security encrypted Proximity cards.
- Multiapplication with other systems using the same card with different sectors.
- Customized issuing card through the SALTO Authorization Media software (SAM).
- Waterproof cards which can be customized.

* depending on the programming mode

HID iCLASS®



iCLASS® contactless technology from HID is R&W identification technology based on 13.56 MHz read/write contactless smart card technology. iCLASS® offers enhanced security through encryption. This single-card, contactless solution permits multiapplication with others systems, and with the SVN capabilities, you will acquire a lot of interesting new features for your property access control.

- 13.56MHz contactless RFID identification.
- ISO 14.443B2 standard compliant. ISO 15.693 standard compliant.
- Reusable key cards.
- SALTO Virtual Network (SVN) compatible.
- Read & Write technology, there's a contact less exchange of information between the card and the reader.
- High security, by using password and encrypted Proximity cards.
- Multiapplication with other systems using the same card through shared pages.
- Customized issuing card through the SALTO Authorization Media software (SAM).
- Waterproof cards which can be customized.

Access Control Features



| | Selfprogrammable System | ROM System | R&W System |
|------------------------------------|--------------------------------|---------------|--------------------------------|
| Maximum number of users per door | 1000 | 1000 | 4000000 |
| Maximum number of doors per system | 1000 | 16000 | 64000 |
| Maximum events on lock audit | 1000 | 1000 | 1000 |
| Time zones | 1000 | 30 | 256 |
| Time periods | 1000 | 20 | 256 |
| Calendars in system | 1000 | 4 | 256 |
| User groups | 1000 | unlimited | unlimited |
| Zones in system | 1000 | unlimited | unlimited |
| Management software | Programing key & user key sets | ProAccess ROM | ProAccess HAMS (available SQL) |

Platform features



- Completely integrated in the SALTO Systems platform.
- Enables users to have standalone electronic cylinders, standalone electronic locks, standalone electronic glass door locks (SALTO wireless compatible), emergency exit devices (SALTO wireless compatible), locker locks and IP based on-line readers, all in the same system with SALTO Virtual Network capabilities, making it possible to update user card access plans flexibly.



Opening models



- **Standard** (locked at all times).
- **Office** (free passage ability).
- **Timed Office** (free passage with automatic locking).
- **Automatic opening** (8 pairs of "hands free" timed lock and unlocks per day with holidays).
- **Automatic Opening + Office**.
- **Toggle** (present card to lock, present card to unlock).
- **Timed toggle** (automatic locking at end time).
- **AMOK mode** (local lockdown of the escutcheon for emergency situations)

▶ Handles for half escutcheon



REF. Y

(May be installed on the external escutcheon when combined with a roller shutter)



REF. A



REF. S



REF. H



REF. C



REF. G



REF. W



REF. N



REF. L



REF. J



REF. T



REF. O



▶ Finishes



Satin stainless steel
IM



Polished stainless steel
IP



Antique brass
IA



Black



White



RAL Coloured upon request



Satin brass (PVD)
PM



Polished brass (PVD)
PP



BioCote antimicrobial
BC



BioCote: Microbes, e.g. Bacteria, mould and fungi, are found in every environment and are natural part of everyday life. Even in the cleanest of surroundings microbes can multiply on surfaces. BioCote is incorporated at the time of manufacture in the products finish and will inhibit the growth of microbes that can cause unpleasant odours and deterioration of the product.

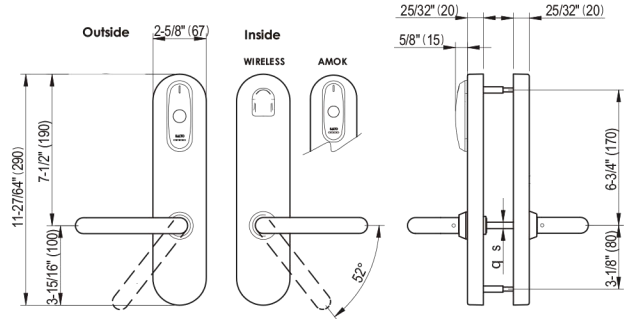


▶ Models available



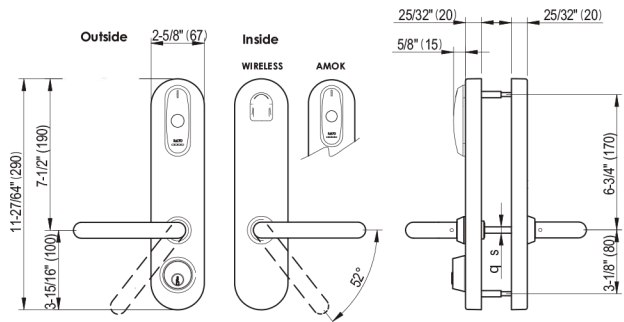
Model 50

- 2 handles any type
- keypad option compatible



Model 60

- 2 handles any type
- Built-in mechanical override with audit.
- keypad option compatible



▶ Wireless capabilities



- Wireless Radio Frequency based on IEEE 802.15.4 at 2,4Ghz.. AES 128bits encryption.
- Managed through Pro Access, HAMS SQL Software.
- SALTO Virtual Network technology backup. The escutcheon will continue working, granting access control via SVN technology backup if the wireless network fails or the PC is disconnected*.
- Real time audit trail: access granted, access denied, card expired.
- Real time door control: View door status in real-time.
- Real time battery control: Monitor battery maintenance by viewing the lock battery status in real time.
- Key management: Resolved in real time as the locks receive cancelled key updates as soon as they are generated.
- 1000 event audit trail back up if contact with the PC is lost.

SALTO Systems Inc | 3073 McCall Drive - Suite 1 | 30340 Atlanta, GA | USA | Phone: 770-452-6091 | info@salto.us

SALTO Systems Inc | 1847 Perrot Blvd., Ste 400 | Notre-Dame-de-l'Île-Perrot | Canada J7V 7P2 | Phone: 514-616-2586 | info@saltosystems.ca

SALTO Systems | Bonampak 77 Ste. 205 | Q. Roo 77500 | Mexico | Phone: +52 998 892 8752 | info.mexico@salto.us



Salto International

SALTO Systems SPAIN HQ, Oiartzun
 SALTO Systems UK, Banbury
 SALTO Systems GERMANY, Gevelsberg
 SALTO Systems FRANCE, Paris
 SALTO Systems NETHERLANDS, Amsterdam
 SALTO Systems BELGIUM, Brussels
 SALTO Systems POLAND, Warsaw
 SALTO Systems ITALY, Milan
 SALTO Systems DENMARK, Kalundborg
 SALTO Systems NORWAY, Oslo

SALTO Systems FINLAND, Helsinki
 Evvasalto SWEDEN, Stockholm
 SALTO Systems PORTUGAL, Oporto
 SALTO Systems USA, Atlanta
 SALTO Systems CANADA, Montreal
 SALTO Systems MEXICO, Cancun
 SALTO Systems AUSTRALIA, Sydney - Melbourne
 SALTO Systems MIDDLE EAST, Dubai
 SALTO Systems ASIA, Singapore



SALTO Systems reserves the right to modify technical specifications, designs and performance without prior notice. © SALTO SYSTEMS 2014

