

## DATASHEET

### SALTO GEO SWING HANDLE

The SALTO GEO half cylinder is specially designed to fit most swing handle rack servers. Ideal for use on applications where control of the operation of the rack is needed, enhancing the control and security of access to the server racks.

[www.saltosystems.com](http://www.saltosystems.com)

TECHNICAL SPECIFICATIONS:  
**SALTO GEO SWING HANDLE**  
GxE9

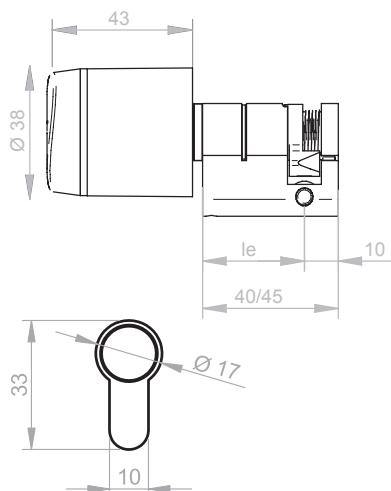
**SALTO**  
inspiredaccess



<sup>(1)</sup> Depending on the model

**TECHNICAL DATA:**

Housing dimensions:	43 x 38 mm
Distances	30 mm to 35 mm
Knob extension - optional	5mm or 10mm knob extension for swing handles with sliding cover.
Cam	Special auto locking cam
IP class:	IP55 - Standard IP66 - Optional
Certifications:	CE
Power source:	1 Lithium standard battery CR2
Number of openings:	35.000 - 50.000 depending on the ID technology
Maximum events on lock audit:	650 - 1.000 (non-volatile memory)
Environmental conditions	-20°C / +60°C

**TECHNICAL DRAWING:****ID TECHNOLOGIES:**

MIFARE:*	•
BLE Smart:	—
NFC:	•
Legic:**	•
HID iClass®:	•
Picopass:	—
i-Button:	•

\* MIFARE® (DESFire EV2, Plus, Ultralight C, FlexSpace, Classic - ISO/IEC 14443).

\*\* Legic Prime and Legic Advant

**TECHNOLOGY PLATFORMS:****SALTO SPACE:**

Smile - Selfprogrammable	•
ROM:	•
SVN data-on-card:	•
SALTO RFnet:	•
SALTO BLUEnet:	—

**SALTO KS:**

SALTO KS:	•
-----------	---

**SALTO SALLIS:**

SALLIS:	•
---------	---

**OPENING MODES:**

Standard:	•
Office mode:	—
Timed office:	—
Automatic opening:	•
Automatic opening + office	—
Toggle:	•
Timed Toggle:	•
Amok mode:	—
Exit leaves open mode:	—

**OPTIONS:****READER COLOUR:**

Black:	•
White:	•

**FINISHES:**

Satin chrome	•
Polished chrome	•
PVD bright brass type	•
PVD satin brass type	•
Satin chrome black	•
BioCote® (Satin chrome)	•