

## DATASHEET

### SALTO NEO CYLINDER FOR SWINGHANDLES

Fully integrated with the SALTO SPACE and SALTO KS platforms, the SALTO Neo is a versatile, cost-effective electronic cylinder with a compact size that permits an easy installation, bringing the latest technology to your SALTO access control system.

[www.saltosystems.com](http://www.saltosystems.com)

#### TECHNICAL SPECIFICATIONS: SALTO NEO CYLINDER FOR SWINGHANDLES Nx E9

**SALTO**  
inspired access



**TECHNICAL DATA:**

Housing dimensions:	39mm x 47mm x 22,3mm
IP class:	Indoor version. Outdoor version IP66 (optional).
Certifications:	CE, FCC/IC, RCM, MIC
Power source:	4 LR1 alkaline batteries
Number of openings:	Up to 130.000
Maximum events on lock audit:	Up to 2.200 <sup>1</sup> (non-volatile memory)
Environmental conditions (without condensation)	-20°C / +55°C

**Compatibility:**

	Profile cylinders	Swinghandles
<b>DIRAK®*</b>	A- A1 - B - F, type	2-080.01, 2-080.02, 2-090, 2-100.01, 2-120, 2-300, 2-340, 2-400 o 3-150, 3-153, 3-155.02, 3-170
<b>EMKA®*</b>	3XB-120, 3XB-220, 3XB-320	3A-120, 3A-220, 3A-310, 3A-320, 3B-220, 3B-320, 3C-220, 3C-260, 3C-280, 3C-320, 3G-220, 3F-430

**ID TECHNOLOGIES:**

MIFARE:*	•
BLE Smart:	•
NFC:	•
Legic:**	—
HID iCLASS® Seos:	•
Picopass:	—
i-Button:	—

\* MIFARE® (DESFire EV2, Plus, Ultralight C, Classic - ISO/IEC 14443)  
\*\* Legic Prime and Legic Advant

**TECHNOLOGY PLATFORMS:**

**SALTO SPACE:**

Smile - Selfprogrammable	—
ROM:	—
SVN data-on-card:	•
SALTO Wireless RFnet enabled:	—
SALTO Wireless BLUEnet enabled:	•

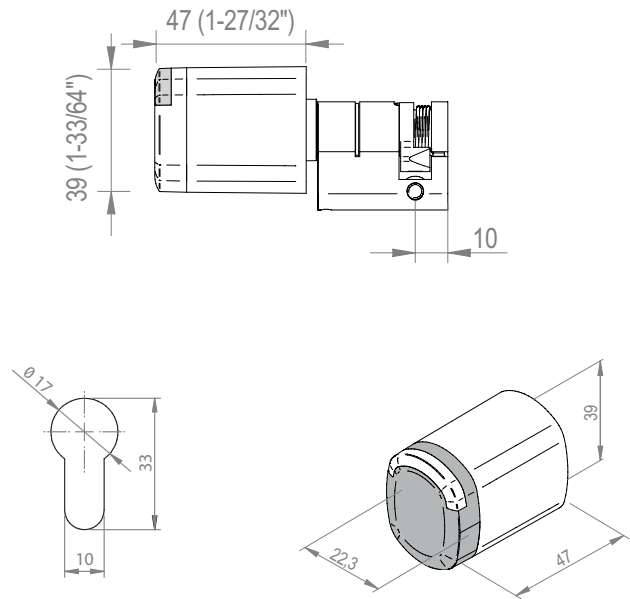
**SALTO KS:**

SALTO KS:	•
-----------	---

**SALTO SALLIS:**

SALLIS:	—
---------	---

**TECHNICAL DRAWING:**



**OPENING MODES:**

Standard:	•
Office mode:	•
Timed office:	•
Automatic opening:	•
Automatic opening + office	•
Toggle:	•
Timed Toggle:	•
Amok mode:	—
Exit leaves open mode:	—

**OPTIONS:**

**READER COLOUR:**

Black:	•
White:	•

**FINISHES:**

Satin chrome	•
Polished chrome	•
PVD bright brass type	•
PVD satin brass type	•
Satin chrome black	•
BioCote® (Satin chrome)	•

<sup>1</sup> depending on the programming mode