

DATASHEET

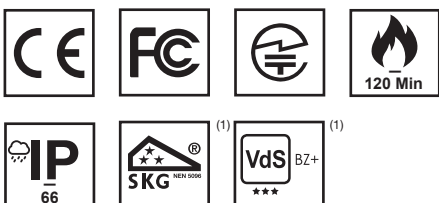
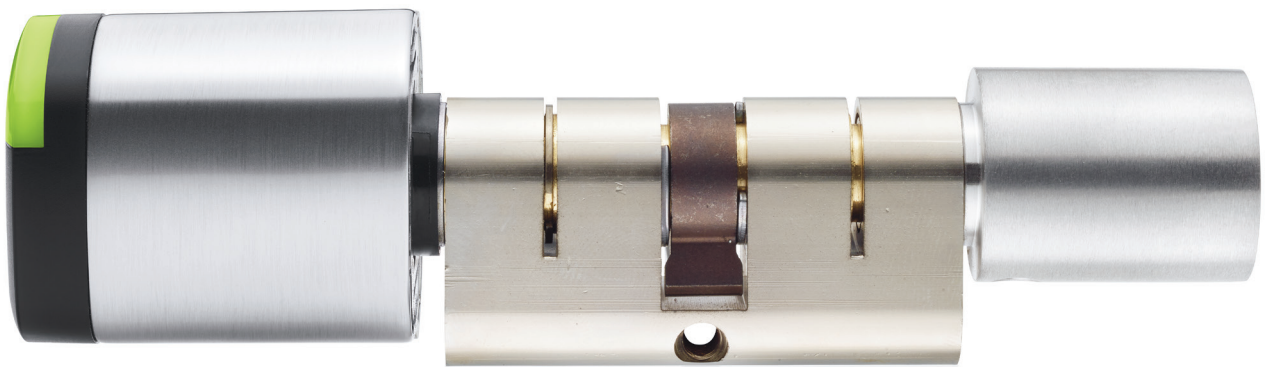
SALTO NEO EUROPEAN CYLINDER

Fully integrated with the SALTO SPACE and SALTO KS platforms, the SALTO Neo is a versatile, cost-effective electronic cylinder with a compact size that permits an easy installation, bringing the latest technology to your SALTO access control system.

www.saltosystems.com

TECHNICAL SPECIFICATIONS: SALTO NEO EUROPEAN CYLINDER NxEx

SALTO
inspired access



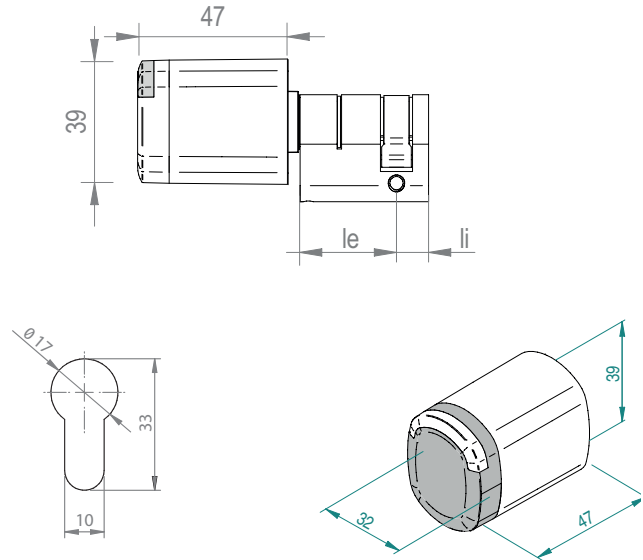
⁽¹⁾ Depending on the model

TECHNICAL DATA:

Housing dimensions:	39mm x 47mm x 32mm
IP class:	Indoor version. Outdoor version IP66 (optional).
Certifications:	CE, FCC/IC, RCM, MIC, VdS BZ+, SKG**, EN 15684, EN 1634-1 - E120 - EI90 - EI60
Body length:	30/10, special lengths with 5mm increments each side possible.
Cam options	15 mm cam (DIN) 13,2 mm cam (Spain) 14,3 mm cam (UK) 10 and 13 teeth cogwheel cam
Power source:	4 LR1 alkaline batteries
Number of openings:	Up to 130.000
Maximum events on lock audit:	Up to 2.200 ¹ (non-volatile memory)
Environmental conditions (without condensation)	-20°C / +55°C



TECHNICAL DRAWING:



ID TECHNOLOGIES:

MIFARE:*	•
BLE Smart:	•
NFC:	•
Legic:**	—
HID iCLASS® Seos:	•
Picopass:	—
i-Button:	—

* MIFARE® (DESFire EV2, Plus, Ultralight C, Classic - ISO/IEC 14443)
** Legic Prime and Legic Advant

OPENING MODES:

Standard:	•
Office mode:	•
Timed office:	•
Automatic opening:	•
Automatic opening + office	•
Toggle:	•
Timed Toggle:	•
Amok mode:	—
Exit leaves open mode:	—

TECHNOLOGY PLATFORMS:

SALTO SPACE:

Smile - Selfprogrammable	—
ROM:	—
SVN data-on-card:	•
SALTO Wireless RFnet enabled:	—
SALTO Wireless BLUEnet enabled:	•

SALTO KS:

SALTO KS:	•
-----------	---

SALTO SALLIS:

SALLIS:	—
---------	---

OPTIONS:

READER COLOUR:

Black:	•
White:	•

FINISHES:

Satin chrome	•
Polished chrome	•
PVD bright brass type	•
PVD satin brass type	•
Satin chrome black	•
BioCote® (Satin chrome)	•

¹ depending on the programming mode

TECHNICAL DATA:

Housing dimensions:	39mm x 47mm x 32mm
IP class:	Indoor version. Outdoor version IP66 (optional).
Certifications:	CE, FCC/IC, RCM, MIC, VdS BZ+, SKG***, EN 15684, EEN 1634-1 - E120 - EI90 - EI60
Exterior length:	30/30 (shorter inner dimension possible), special lengths with 5mm-150mm increments each side possible.
Cam options	15 mm cam (DIN) 13,2 mm cam (Spain) 14,3 mm cam (UK) 10 and 13 teeth cogwheel cam
Power source:	4 LR1 alkaline batteries
Number of openings:	Up to 130.000
Maximum events on lock audit:	Up to 2.200 ¹ (non-volatile memory)
Environmental conditions (without condensation)	-20°C / +55°C

ID TECHNOLOGIES:

MIFARE:*	•
BLE Smart:	•
NFC:	•
Legic:**	—
HID iCLASS® Seos:	•
Picopass:	—
i-Button:	—

* MIFARE® (DESFire EV2, Plus, Ultralight C, Classic - ISO/IEC 14443)
** Legic Prime and Legic Advant

TECHNOLOGY PLATFORMS:

SALTO SPACE:

Smile - Selfprogrammable	—
ROM:	—
SVN data-on-card:	•
SALTO Wireless RFnet enabled:	—
SALTO Wireless BLUEnet enabled:	•

SALTO KS:

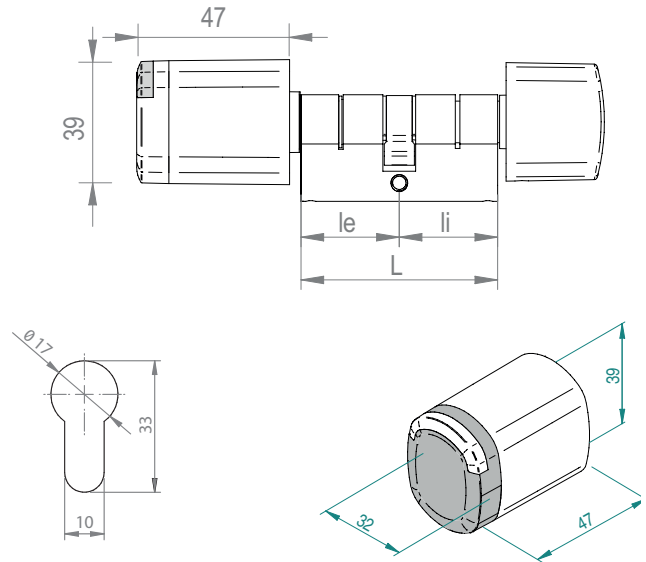
SALTO KS:	•
-----------	---

SALTO SALLIS:

SALLIS:	—
---------	---



TECHNICAL DRAWING:



OPENING MODES:

Standard:	•
Office mode:	•
Timed office:	•
Automatic opening:	•
Automatic opening + office	•
Toggle:	•
Timed Toggle:	•
Amok mode:	—
Exit leaves open mode:	—

OPTIONS:

READER COLOUR:

Black:	•
White:	•

FINISHES:

Satin chrome	•
Polished chrome	•
PVD bright brass type	•
PVD satin brass type	•
Satin chrome black	•
BioCote® (Satin chrome)	•

¹ depending on the programming mode

TECHNICAL DATA:

Housing dimensions:	39mm x 47mm x 32mm
IP class:	Indoor version. Outdoor version IP66 (optional).
Certifications:	CE, FCC/IC, RCM, MIC, VdS BZ+, SKG***, EN 15684, EN 1634-1 - E120 - EI90
Exterior length:	30/30, special lengths with 5mm-145mm increments each side possible.
Cam options	15 mm cam (DIN) 13,2 mm cam (Spain) 14,3 mm cam (UK) 10 and 13 teeth cogwheel cam
Power source:	4 LR1 alkaline batteries
Number of openings:	Up to 130.000
Maximum events on lock audit:	Up to 2.200 ¹ (non-volatile memory)
Environmental conditions (without condensation)	-20°C / +55°C

ID TECHNOLOGIES:

MIFARE:*	•
BLE Smart:	•
NFC:	•
Legic:**	—
HID iCLASS® Seos:	•
Picopass:	—
i-Button:	—

* MIFARE® (DESFire EV2, Plus, Ultralight C, Classic - ISO/IEC 14443)

** Legic Prime and Legic Advant

TECHNOLOGY PLATFORMS:

SALTO SPACE:

Smile - Selfprogrammable	—
ROM:	—
SVN data-on-card:	•
SALTO Wireless RFnet enabled:	—
SALTO Wireless BLUEnet enabled:	•

SALTO KS:

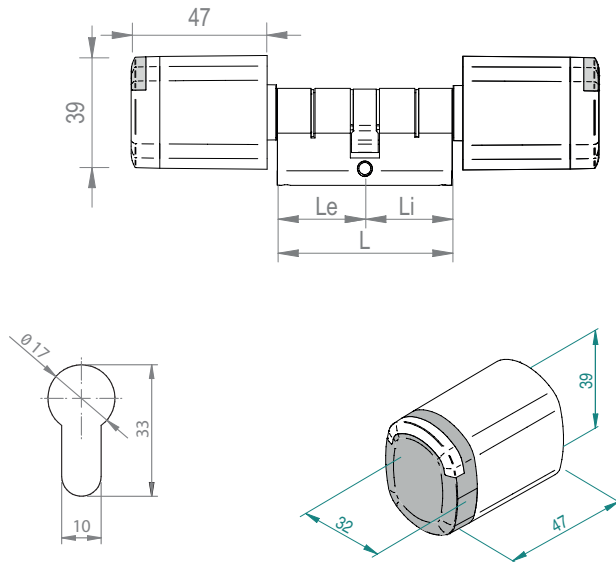
SALTO KS:	•
-----------	---

SALTO SALLIS:

SALLIS:	—
---------	---



TECHNICAL DRAWING:



OPENING MODES:

Standard:	•
Office mode:	•
Timed office:	•
Automatic opening:	•
Automatic opening + office	•
Toggle:	•
Timed Toggle:	•
Amok mode:	—
Exit leaves open mode:	—

OPTIONS:

READER COLOUR:

Black:	•
White:	•

FINISHES:

Satin chrome	•
Polished chrome	•
PVD bright brass type	•
PVD satin brass type	•
Satin chrome black	•
BioCote® (Satin chrome)	•

¹ depending on the programming mode