



**SALTO**  
inspired **access**

SALTO Systems | XS4 EURO LOCK



## XS4 EURO Lock

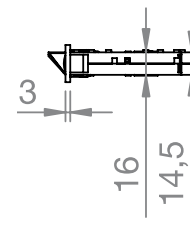
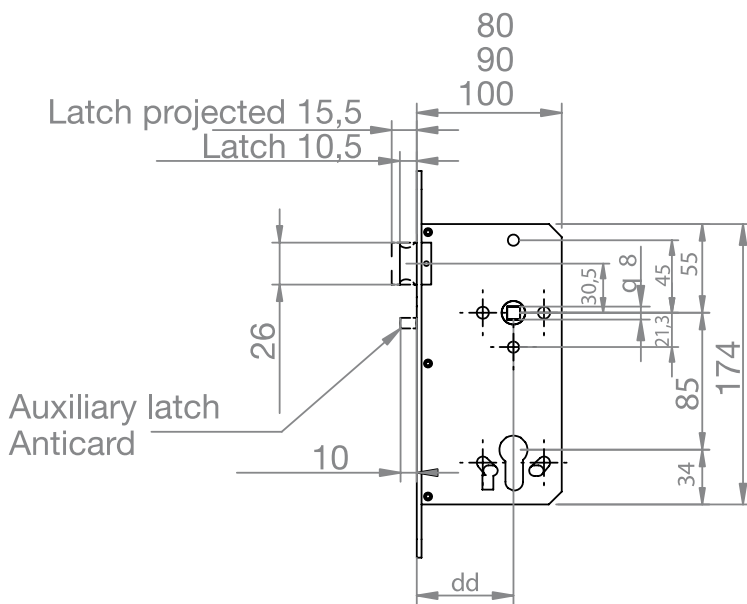
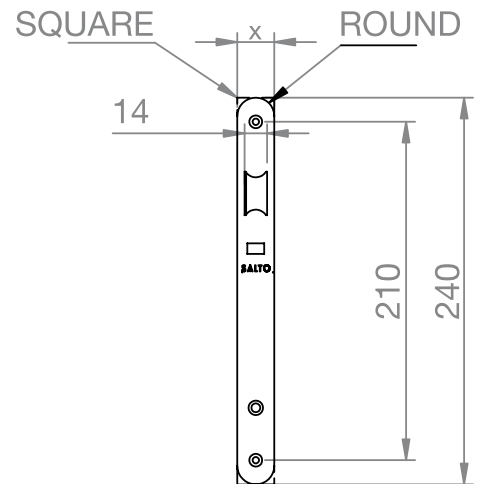
The XS4 Euro lock is a mortise lock with latch projection which means the latch is automatically projected and deadlocked when the door is closed. This mortise lock is suitable for all kinds of wooden door whether it's a hotel room, office or warehouse door etc. The new latch projection function increases security by making it impossible to gain access by using plastic cards. For additional security SALTO also offers the option to order this lock with deadbolt.



### ► Mechanical features



- Lock case, latch, and deadbolt made of steel.
- Axes distances 85mm.
- Euro profile cylinder compatible.
- 8mm square spindle.
- Turning angle 30°.
- Different backsets.
- Choice of finishes: satin stainless steel or gold enamelled.
- Reversible latch and auxiliary latch.
- With auxiliary latch (anticard) it deadlocks the latch.
- The handle retracts the latch to normal position.
- Panic function option.
- Deadbolt detector option for electronic privacy function.
- EN-1634 Certificated fire resistant.

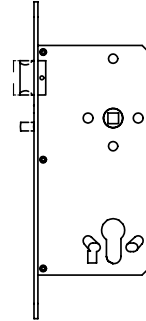


## ▶ Models available



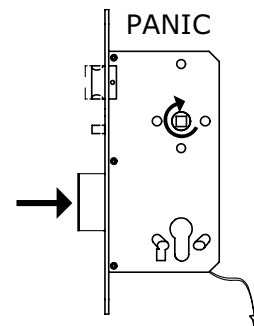
### Model P02

- Latch only
- Automatic latch through.
- With auxiliar latch (anticard).



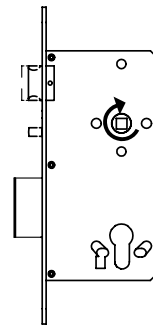
### Model P12

- Latch
- Deadbolt
- Panic function
- Automatic latch through.
- With auxiliar latch (anticard).



### Model P22

- Latch.
- Deadbolt.
- Automatic latch through.
- No panic function.
- With auxiliar latch (anticard).



## ▶ About SALTO Systems:

Since its inception in 2001, SALTO Systems has grown to be the market leader in state-of-the-art electronic access control systems.

Recognising the need for a new access control concept, SALTO has developed a wide range of innovative products such as the SALTO Virtual Network and XS4 access control platform, while our electronic escutcheons, wall readers and on-line and off-line control units now control security access for a growing range of end users from Airports to Hospitals, Banks to Government Buildings and Universities to Hotels.

Our brand new HQ and high capacity manufacturing facility is fully equipped with the latest technology for JIT (Just in Time) manufacturing while substantial ongoing investment in a dedicated RD&I team (Research, Development and Innovation) enables us to stay at the cutting edge of modern mechanical, electronic and software design. This, together with ISO 9001:2008 and ISO 14001:2004 certification, ensures rigorous

quality management systems are in place to ensure the design, development and manufacturing of our electronic access control products always strive to achieve the highest possible standards of quality as required by you, our customers and for the environment.

Our distribution partner network now covers more than 70 countries to service international growth, and we have branch offices in Spain, UK, USA, Australia, Canada, Denmark, France, Finland, Germany, Holland, Mexico, Norway, Portugal, Singapore, Sweden and United Arab Emirates with more planned to open in other countries.

CONTACT:  
SALTO Systems HQ, Spain  
Polígono Lanbarren, C/ Arkotz, 9  
20180 Oiartzun, Spain

Tel.: +34 943 344 550  
info@saltosystems.com | www.saltosystems.com

**SALTO**  
inspired access

[www.saltosystems.com](http://www.saltosystems.com)

